

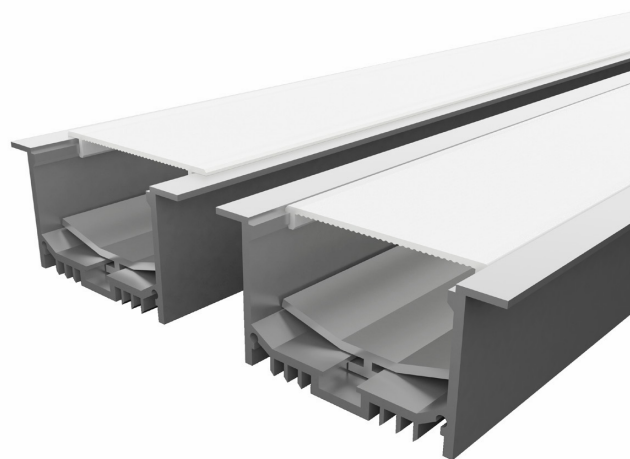
profile gt3

RANGE	PROFILE GT3
REF.	QBOPGT3-
TYPE	SURFACE, RECESSED OR SUSPENDEED PROFILE
DIMENSIONS	65 x 32 x 3000 mm
WEIGHT	3,132 kg
MATERIAL	ALUMINIUM
ALLOY	6063
RESISTANCE	T5
ANODIZE	20µm
FINISH	ALUMINIUM

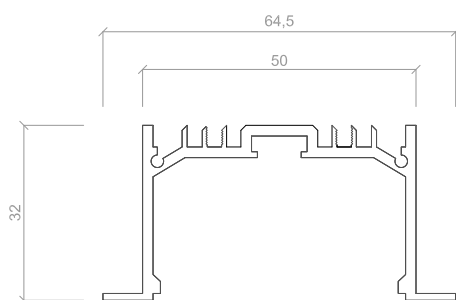
*Diferentes acabados y opciones de protección IP disponibles bajo pedido
Other finishes and IP ratings available on request

*Compatible con todas las potencias y medidas de tiras de LED qbo Flexy
Compatible with all power and measures of qbo Flexy LED strips

*Todos los perfiles qbo se extruyen a partir de la aleación 6063 de aluminio reciclado de segunda fusión.
All qbo profiles are extruded from 6063 recycled aluminum alloy, at least second fusion.



CODE	DESCRIPTION
QBOPGT3	PROFILE GT3 32x65 3000mm
QBOPGT3DE	PROFILE GT3 diffuser frosted recessed 3000mm
QBOPGT3P	PROFILE GT3 32x65 plate 3000mm
QBOPGT3C	PROFILE GT3 end cap (2 units)
QBOPGT3F	PROFILE GT3 fixing clip
QBOPGT3G	PROFILE GT3 spring recessed
QBOKITSUSPENSIONCH	PROFILE kit suspension 3m



profile gt3^{acc}

CODE	DESCRIPTION
QBOPGT3DS	PROFILE GT3 diffuser frosted surface 3000mm
QBOP05UL	PROFILE 05 10x3mm linear union (1 unit)
QBOP05UAP	PROFILE 05 10x3mm angular union flat (1 unit)