

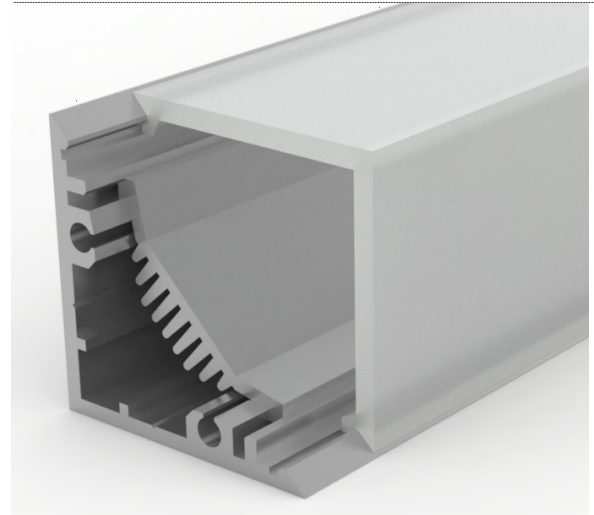
profile 21x21^A

RANGE	PROFILE 21X21
REF.	QBOP21X21-
TYPE	SURFACE PROFILE
DIMENSIONS	21 x 21 x 3000 mm
WEIGHT	1,06 kg
MATERIAL	ALUMINIUM
ALLOY	6063
RESISTANCE	T5
ANODIZE	20µm
FINISH	ALUMINIUM

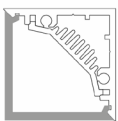
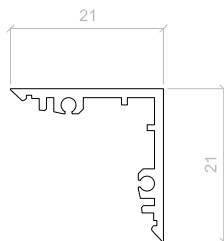
*Diferentes acabados y opciones de protección IP disponibles bajo pedido
Other finishes and IP ratings available on request

*Compatible con todas las potencias y medidas de tiras de LED qbo Flexy
Compatible with all power and measures of qbo Flexy LED strips

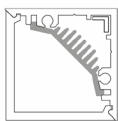
*Todos los perfiles qbo se extruyen a partir de la aleación 6063 de aluminio reciclado de segunda fusión.
All qbo profiles are extruded from 6063 recycled aluminum alloy, at least second fusion.



CODE	DESCRIPTION
QBOP21X21A	PROFILE 21x21 angular 3000mm
QBOP21X21DA	PROFILE 21x21 diffuser angular 3000mm
QBOP21X21HA	PROFILE 21x21 heat sink angular 3000mm
QBOP21X21TA	PROFILE 21x21 end caps angular (2 units)



QBOP21X21A



QBOP21X21HA



QBOP21X21TA

profile 21x21A^{acc}

CODE	DESCRIPTION
QBOP02UL	PROFILE 02 3x3mm linear union (1 unit)



QBOP02UL