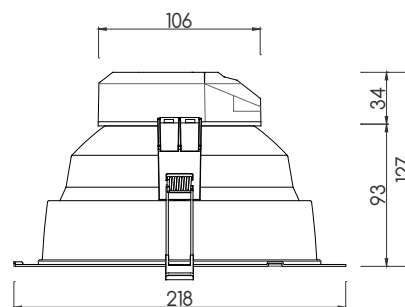


DLA G2 200mm

RANGE	TRIDONIC LED MODULE AC
TYPE	DOWNLIGHT
DIMENSIONS	Ø218 x 127 mm
FREE HEIGHT FOR INSTALLATION	200 mm
WEIGHT	0,497kg
FINISH	BLUE AND WHITE
VOLTAGE	220 - 240 V
FREQUENCY	50 / 60 Hz
FEEDER KIT	INCLUDED
DIMMABLE	NO
POWER	20,4 W / 29,8 W
POWER FACTOR	0,9
SERVICE LIFE	50.000h (L70)
IP RATING	IP20
OPERATING TEMPERATURE	-20 a 40 °C
LIGHTING DISTRIBUTION	DIRECT
COLOR TEMPERATURE	3000 K / 4000 K
CRI	90
MACADAM ELLIPSE	4
LIGHTING FLUX	2225 lm / 3125 lm
LUMINOUS EFFICACY	109,1 lm/w / 104,9 lm/w
OPENING DEGREES	60° / 90°



reference builder

TYPE	SHAPE	ADJUSTABLE	POWER	C. TEMP	BEAM	CRI	FINISH	Ø
DLA150 (downlight)	SQ (round sq.)	F (fixed)	204 (20,4W)	30 (3000K)	60 (60°)	90 (CRI>90)	00L (white)	200 (200mm)
	RO (round round)	O (orientable)	298 (29,8W)	40 (4000K)	90 (90°)			

Other color temperatures available under request
Depending on the chosen distance, you can only choose the power of the same horizontal.

Order example:

DLA SQ 298 30 90 90 00L 200
DLA downlight square 29,8W 3000K 90° CRI 90 white finish 200 mm